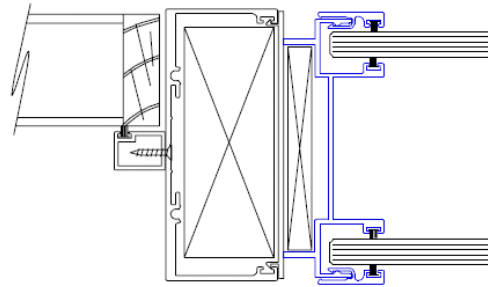
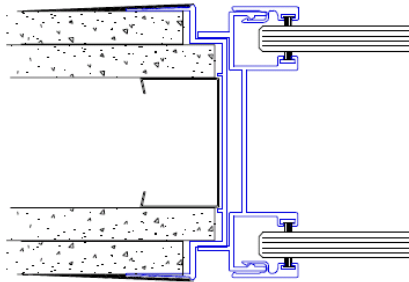
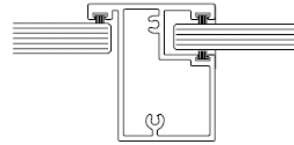
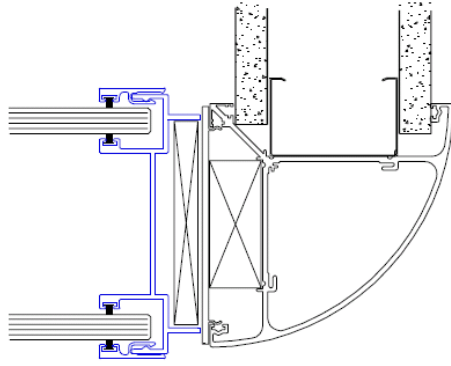


Junctions Details



neslo

Clearline



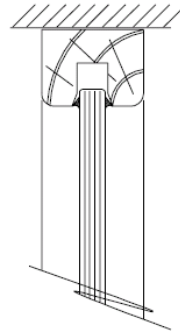
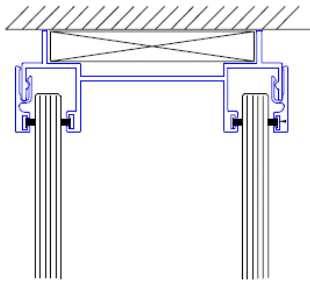
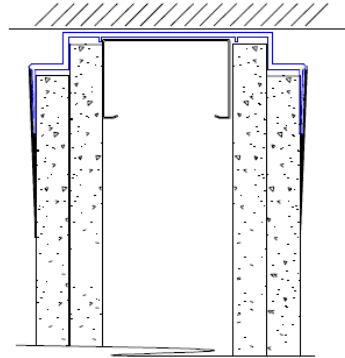
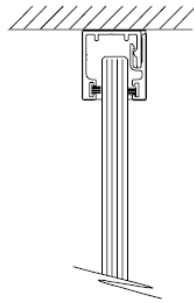
Scale 1:2

Elevation Details



neslo

Clearline



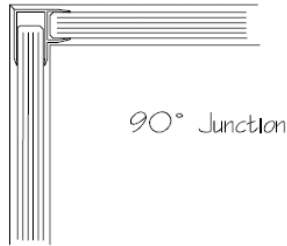
Scale 1:2

Junctions Details 2

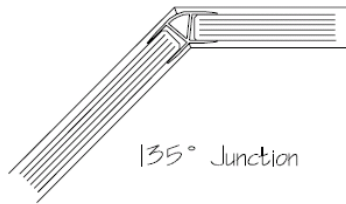


neslo

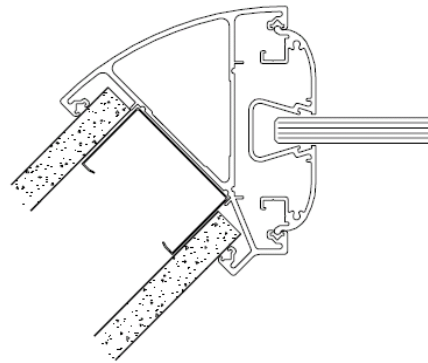
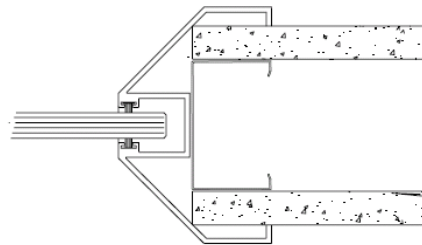
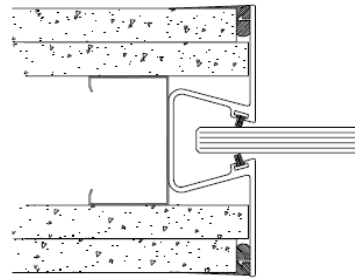
Clearline



90° Junction



135° Junction



Scale 1:2